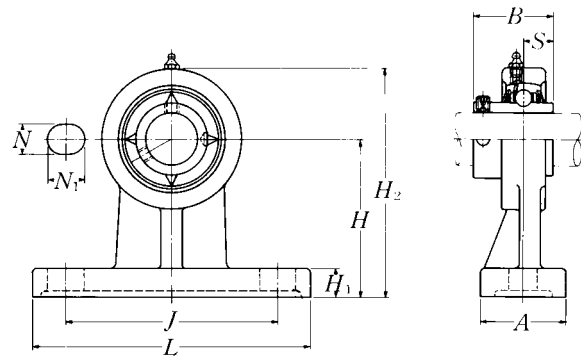


Pillow blocks cast housing high center height
Set screw type

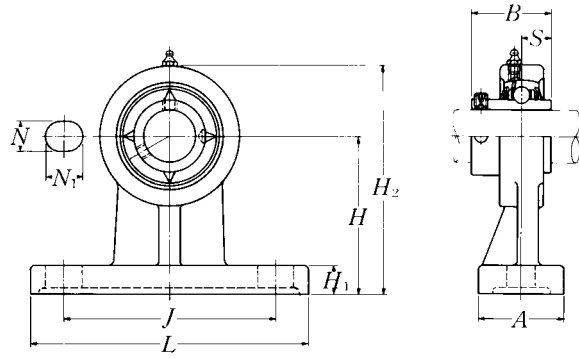


Shaft dia.	Unit number ¹⁾	Nominal dimensions										Bolt size	Bearing number
		mm					inch						
mm inch		H	L	J	A	N	N ₁	H ₁	H ₂	B	S	mm inch	
12 1/2	UHP201D1 UHP201-008D1	70 2 3/4	127 5	95 3 3/4	40 1 9/16	13 1/2	19 3/4	13 1/2	101 3 31/32	31 1.2205	12.7 0.500	M10 3/8	UC201D1 UC201-008D1
15 9/16 5/8	UHP202D1 UHP202-009D1 UHP202-010D1	70 2 3/4	127 5	95 3 3/4	40 1 9/16	13 1/2	19 3/4	13 1/2	101 3 31/32	31 1.2205	12.7 0.500	M10 3/8	UC202D1 UC202-009D1 UC202-010D1
17 1 1/16	UHP203D1 UHP203-011D1	70 2 3/4	127 5	95 3 3/4	40 1 9/16	13 1/2	19 3/4	13 1/2	101 3 31/32	31 1.2205	12.7 0.500	M10 3/8	UC203D1 UC203-011D1
20 3/4	UHP204D1 UHP204-012D1	70 2 3/4	127 5	95 3 3/4	40 1 9/16	13 1/2	19 3/4	13 1/2	101 3 31/32	31 1.2205	12.7 0.500	M10 3/8	UC204D1 UC204-012D1
25 1 3/16 7/8 1 5/16 1	UHP205D1 UHP205-013D1 UHP205-014D1 UHP205-015D1 UHP205-100D1	80 3 5/32	142 5 19/32	105 4 1/8	50 1 31/32	13 1/2	19 3/4	13 1/2	114 4 1/2	34.1 1.3425	14.3 0.563	M10 3/8	UC205D1 UC205-013D1 UC205-014D1 UC205-015D1 UC205-100D1
30 1 1/16 1 1/8 1 3/16 1 1/4	UHP206D1 UHP206-101D1 UHP206-102D1 UHP206-103D1 UHP206-104D1	90 3 35/64	165 6 1/2	120 4 23/32	50 1 31/32	17 2 1/32	21 1 3/16	16 5/8	130 5 1/8	38.1 1.5000	15.9 0.626	M14 1/2	UC206D1 UC206-101D1 UC206-102D1 UC206-103D1 UC206-104D1
35 1 1/4 1 5/16 1 3/8 1 7/16	UHP207D1 UHP207-104D1 UHP207-105D1 UHP207-106D1 UHP207-107D1	95 3 47/64	166 6 17/32	127 5	60 2 3/8	17 2 1/32	21 1 3/16	18 2 3/32	140 5 1/2	42.9 1.6890	17.5 0.689	M14 1/2	UC207D1 UC207-104D1 UC207-105D1 UC207-106D1 UC207-107D1
40 1 1/2 1 9/16	UHP208D1 UHP208-108D1 UHP208-109D1	100 3 15/16	184 7 1/4	136 5 11/32	70 2 3/4	17 2 1/32	21 1 3/16	20 2 5/32	150 5 29/32	49.2 1.9370	19 0.748	M14 1/2	UC208D1 UC208-108D1 UC208-109D1

Remarks: 1) These numbers indicate relubricatable type. If maintenance free type is needed, please order without suffix "D1".
 Note: Please refer to page 25 for size of grease fitting.

Housing number	Mass of unit	
	kg	lb
HP204D1	1.0	
HP204D1	2.2	
HP204D1	1.0	
HP204D1	2.2	
HP204D1	1.0	
HP204D1	2.2	
HP204D1	1.0	
HP204D1	2.2	
HP205D1	1.2	
HP205D1		
HP205D1	2.6	
HP205D1		
HP205D1		
HP206D1	1.8	
HP206D1		
HP206D1	4.0	
HP206D1		
HP206D1		
HP207D1	2.4	
HP207D1		
HP207D1	5.3	
HP207D1		
HP207D1		
HP208D1	3.4	
HP208D1	7.5	
HP208D1		

Pillow blocks cast housing high center height
Set screw type

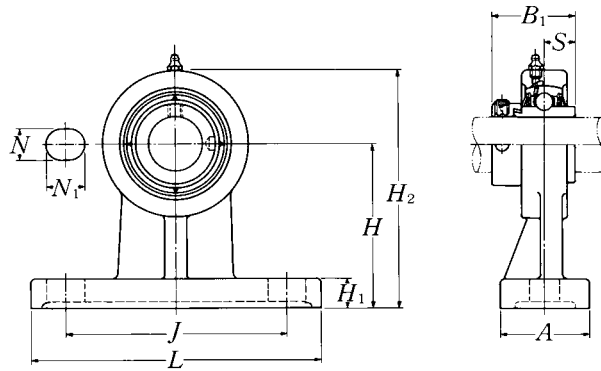


Shaft dia.	Unit number ¹⁾	Nominal dimensions										Bolt size	Bearing number
		mm					inch						
mm inch		H	L	J	A	N	N ₁	H ₁	H ₂	B	S	mm inch	
45	UCHP209D1	105	190	146	70	17	22	20	158	49.2	19	M14	UC209D1
1⁵/₈	UCHP209-110D1												UC209-110D1
1¹¹/₁₆	UCHP209-111D1	4 ⁹ / ₆₄	7 ¹⁵ / ₃₂	5 ³ / ₄	2 ³ / ₄	2 ¹ / ₃₂	7/8	2 ⁵ / ₃₂	6 ⁷ / ₃₂	1.9370	0.748	1/2	UC209-111D1
1³/₄	UCHP209-112D1												UC209-112D1
50	UCHP210D1	110	206	159	70	20	22	22	165	51.6	19	M16	UC210D1
1¹³/₁₆	UCHP210-113D1												UC210-113D1
1⁷/₈	UCHP210-114D1	4 ²¹ / ₆₄	8 ¹ / ₈	6 ¹ / ₄	2 ³ / ₄	2 ⁵ / ₃₂	7/8	7/8	6 ¹ / ₂	2.0315	0.748	5/8	UC210-114D1
1¹⁵/₁₆	UCHP210-115D1												UC210-115D1
2	UCHP210-200D1												UC210-200D1

Remarks: 1) These numbers indicate relubricatable type. If maintenance free type is needed, please order without suffix "D1".
 Note: Please refer to page 25 for size of grease fitting.

Housing number	Mass of unit	
	kg	lb
HP209D1	3.7	
HP209D1		
HP209D1	8.2	
HP209D1		
HP210D1	4.1	
HP210D1		
HP210D1	9.0	
HP210D1		
HP210D1		

**Pillow blocks cast housing high center height
Eccentric locking collar type**



Shaft dia.	Unit number ¹⁾	Nominal dimensions										Bolt size	Bearing number
		mm					inch						
		H	L	J	A	N	N ₁	H ₁	H ₂	B ₁	S		
20 3/4	UELHP204D1W3 UELHP204-012D1W3	70 2 3/4	127 5	95 3 3/4	40 1 9/16	13 1/2	19 3/4	13 1/2	101 3 31/32	43.7 1.720	17.1 0.673	M10 3/8	UEL204D1W3 UEL204-012D1W3
25 1 13/16 7/8 1 15/16 1	UELHP205D1W3 UELHP205-013D1W3 UELHP205-014D1W3 UELHP205-015D1W3 UELHP205-100D1W3	80 3 5/32	142 5 19/32	105 4 1/8	50 1 31/32	13 1/2	19 3/4	13 1/2	114 4 1/2	44.4 1.748	17.5 0.689	M10 3/8	UEL205D1W3 UEL205-013D1W3 UEL205-014D1W3 UEL205-015D1W3 UEL205-100D1W3
30 1 1/16 1 1/8 1 3/16 1 1/4	UELHP206D1W3 UELHP206-101D1W3 UELHP206-102D1W3 UELHP206-103D1W3 UELHP206-104D1W3	90 3 35/64	165 6 1/2	120 4 23/32	50 1 31/32	17 2 1/32	21 1 13/16	16 5/8	130 5 1/8	48.4 1.906	18.3 0.720	M14 1/2	UEL206D1W3 UEL206-101D1W3 UEL206-102D1W3 UEL206-103D1W3 UEL206-104D1W3
35 1 1/4 1 5/16 1 3/8 1 7/16	UELHP207D1W3 UELHP207-104D1W3 UELHP207-105D1W3 UELHP207-106D1W3 UELHP207-107D1W3	95 3 47/64	166 6 17/32	127 5	60 2 3/8	17 2 1/32	21 1 13/16	18 2 3/32	140 5 1/2	51.1 2.012	18.8 0.740	M14 1/2	UEL207D1W3 UEL207-104D1W3 UEL207-105D1W3 UEL207-106D1W3 UEL207-107D1W3
40 1 1/2 1 9/16	UELHP208D1W3 UELHP208-108D1W3 UELHP208-109D1W3	100 3 15/16	184 7 1/4	136 5 11/32	70 2 3/4	17 2 1/32	21 1 13/16	20 2 5/32	150 5 29/32	56.3 2.217	21.4 0.843	M14 1/2	UEL208D1W3 UEL208-108D1W3 UEL208-109D1W3
45 1 5/8 1 11/16 1 3/4	UELHP209D1W3 UELHP209-110D1W3 UELHP209-111D1W3 UELHP209-112D1W3	105 4 9/64	190 7 15/32	146 5 3/4	70 2 3/4	17 2 1/32	22 7/8	20 2 5/32	158 6 7/32	56.3 2.217	21.4 0.843	M14 1/2	UEL209D1W3 UEL209-110D1W3 UEL209-111D1W3 UEL209-112D1W3
50 1 13/16 1 7/8 1 15/16 2	UELHP210D1W3 UELHP210-113D1W3 UELHP210-114D1W3 UELHP210-115D1W3 UELHP210-200D1W3	110 4 21/64	206 8 1/8	159 6 1/4	70 2 3/4	20 2 5/32	22 7/8	22 7/8	165 6 1/2	62.7 2.469	24.6 0.969	M16 5/8	UEL210D1W3 UEL210-113D1W3 UEL210-114D1W3 UEL210-115D1W3 UEL210-200D1W3

Remarks: 1) These numbers indicate relubricatable type. If maintenance free type is needed, please order without suffix "D1".
Note: Please refer to page 25 for size of grease fitting.

Housing number	Mass of unit	
	kg	lb
HP204D1	1.1	
HP204D1	2.4	
HP205D1	1.3	
HP205D1		
HP205D1	2.9	
HP205D1		
HP205D1		
HP206D1	1.9	
HP206D1		
HP206D1	4.2	
HP206D1		
HP206D1		
HP207D1	2.5	
HP207D1		
HP207D1	5.5	
HP207D1		
HP207D1		
HP208D1	3.5	
HP208D1	7.7	
HP208D1		
HP209D1	3.9	
HP209D1		
HP209D1	8.6	
HP209D1		
HP210D1	4.3	
HP210D1		
HP210D1	9.5	
HP210D1		
HP210D1		