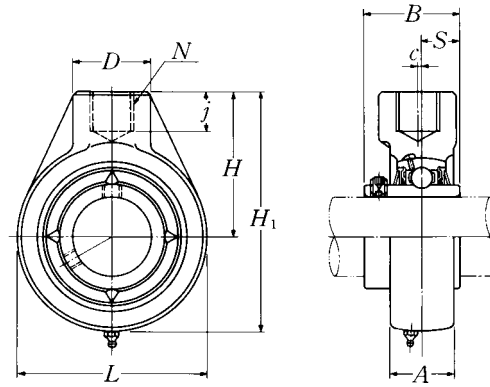


Hanger units cast housing  
Set screw type



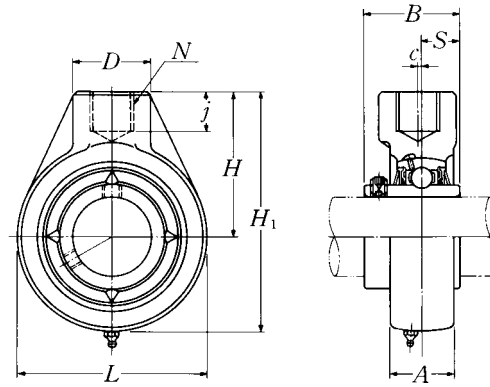
| Shaft dia.                                      | Unit number <sup>1)</sup>  | Nominal dimensions |                |      |        |         |       |        |        |        |       | Bearing number   |
|---|--|--------------------|----------------|------|--------|---------|-------|--------|--------|--------|-------|--|
|   |  | mm                 |                | inch |        |         |       |        |        |        |       |  |
|   |  | L                  | H <sub>1</sub> | c    | A      | H       | N     | D      | j      | B      | S     |  |
| <b>12</b><br>1/2                                | <b>UCHB201D1</b><br><b>UCHB201-008D1</b>   | 64                 | 96             | 0    | 21     | 64      | RP3/4 | 40     | 19     | 31     | 12.7  | <b>UC201D1</b><br>UC201-008D1  |
|   |  | 2 17/32            | 3 25/32        | 0    | 13/16  | 2 33/64 | RP3/4 | 1 9/16 | 3/4    | 1.2205 | 0.500 |  |
| <b>15</b><br>9/16<br>5/8                        | <b>UCHB202D1</b><br><b>UCHB202-009D1</b><br><b>UCHB202-010D1</b>   | 64                 | 96             | 0    | 21     | 64      | RP3/4 | 40     | 19     | 31     | 12.7  | <b>UC202D1</b><br>UC202-009D1<br>UC202-010D1                               |
|   |  | 2 17/32            | 3 25/32        | 0    | 13/16  | 2 33/64 | RP3/4 | 1 9/16 | 3/4    | 1.2205 | 0.500 |  |
| <b>17</b><br>1 1/16                             | <b>UCHB203D1</b><br><b>UCHB203-011D1</b>   | 64                 | 96             | 0    | 21     | 64      | RP3/4 | 40     | 19     | 31     | 12.7  | <b>UC203D1</b><br>UC203-011D1  |
|   |  | 2 17/32            | 3 25/32        | 0    | 13/16  | 2 33/64 | RP3/4 | 1 9/16 | 3/4    | 1.2205 | 0.500 |  |
| <b>20</b><br>3/4                                | <b>UCHB204D1</b><br><b>UCHB204-012D1</b>   | 64                 | 96             | 0    | 21     | 64      | RP3/4 | 40     | 19     | 31     | 12.7  | <b>UC204D1</b><br>UC204-012D1  |
|   |  | 2 17/32            | 3 25/32        | 0    | 13/16  | 2 33/64 | RP3/4 | 1 9/16 | 3/4    | 1.2205 | 0.500 |  |
| <b>25</b><br>1 3/16<br>7/8<br>1 5/16<br>1       | <b>UCHB205D1</b><br><b>UCHB205-013D1</b><br><b>UCHB205-014D1</b><br><b>UCHB205-015D1</b><br><b>UCHB205-100D1</b> | 78                 | 103            | 0    | 24     | 64      | RP3/4 | 40     | 19     | 34.1   | 14.3  | <b>UC205D1</b><br>UC205-013D1<br>UC205-014D1<br>UC205-015D1<br>UC205-100D1 |
|   |  | 3 1/16             | 4 1/16         | 0    | 1 5/16 | 2 33/64 | RP3/4 | 1 9/16 | 3/4    | 1.3425 | 0.563 |  |
| <b>30</b><br>1 1/16<br>1 1/8<br>1 3/16<br>1 1/4 | <b>UCHB206D1</b><br><b>UCHB206-101D1</b><br><b>UCHB206-102D1</b><br><b>UCHB206-103D1</b><br><b>UCHB206-104D1</b> | 78                 | 103            | 0    | 28     | 64      | RP3/4 | 40     | 19     | 38.1   | 15.9  | <b>UC206D1</b><br>UC206-101D1<br>UC206-102D1<br>UC206-103D1<br>UC206-104D1 |
|   |  | 3 1/16             | 4 1/16         | 0    | 1 3/32 | 2 33/64 | RP3/4 | 1 9/16 | 3/4    | 1.5000 | 0.626 |  |
| <b>35</b><br>1 1/4<br>1 5/16<br>1 3/8<br>1 7/16 | <b>UCHB207D1</b><br><b>UCHB207-104D1</b><br><b>UCHB207-105D1</b><br><b>UCHB207-106D1</b><br><b>UCHB207-107D1</b> | 92                 | 116            | 0    | 30     | 70      | RP3/4 | 40     | 19     | 42.9   | 17.5  | <b>UC207D1</b><br>UC207-104D1<br>UC207-105D1<br>UC207-106D1<br>UC207-107D1 |
|   |  | 3 5/8              | 4 9/16         | 0    | 1 3/16 | 2 3/4   | RP3/4 | 1 9/16 | 3/4    | 1.6890 | 0.689 |  |
| <b>40</b><br>1 1/2<br>1 9/16                    | <b>UCHB208D1</b><br><b>UCHB208-108D1</b><br><b>UCHB208-109D1</b>   | 96                 | 121            | 2    | 33     | 73      | RP3/4 | 40     | 19     | 49.2   | 19    | <b>UC208D1</b><br>UC208-108D1<br>UC208-109D1                               |
|   |  | 3 25/32            | 4 3/4          | 3/32 | 1 5/16 | 2 7/8   | RP3/4 | 1 9/16 | 3/4    | 1.9370 | 0.748 |  |
| <b>45</b><br>1 5/8<br>1 1 1/16<br>1 3/4         | <b>UCHB209D1</b><br><b>UCHB209-110D1</b><br><b>UCHB209-111D1</b><br><b>UCHB209-112D1</b>                         | 108                | 136            | 5    | 35     | 82      | RP1   | 48     | 21     | 49.2   | 19    | <b>UC209D1</b><br>UC209-110D1<br>UC209-111D1<br>UC209-112D1                |
|   |  | 4 1/4              | 5 1 1/2        | 3/16 | 1 3/8  | 3 15/64 | RP1   | 1 7/8  | 1 3/16 | 1.9370 | 0.748 |  |

Remarks: 1) These numbers indicate relubricatable type. If maintenance free type is needed, please order without suffix "D1".  
Note: Please refer to page 25 for size of grease fitting.

| Housing number | Mass of unit<br>kg lb |
|----------------|-----------------------|
|                |                       |
| HB204D1        | 1.5                   |
| HB204D1        | 0.7                   |
| HB204D1        | 1.5                   |
| HB204D1        | 0.7                   |
| HB204D1        | 1.5                   |
| HB204D1        | 0.7                   |
| HB204D1        | 1.5                   |
| HB205D1        | 1.0                   |
| HB205D1        | 2.2                   |
| HB205D1        | 1.0                   |
| HB205D1        | 2.2                   |
| HB205D1        | 1.0                   |
| HB205D1        | 2.2                   |
| HB206D1        | 1.4                   |
| HB206D1        | 3.1                   |
| HB206D1        | 1.5                   |
| HB206D1        | 3.3                   |
| HB206D1        | 1.5                   |
| HB206D1        | 3.3                   |
| HB207D1        | 2.1                   |
| HB207D1        | 4.6                   |
| HB207D1        | 2.1                   |
| HB207D1        | 4.6                   |

| Nominal Designation of Thread          | Nominal dimensions mm             |                |                                   |
|--|-----------------------------------|----------------|-----------------------------------|
|  | Major Diameter of Internal Thread | Pitch Diameter | Minor Diameter of Internal Thread |
| Rp $\frac{3}{4}$ (PS $\frac{3}{4}$ )   | 26.441                            | 25.279         | 24.117                            |
| Rp1 (PS1)                              | 33.249                            | 31.770         | 30.291                            |
| Rp1 $\frac{1}{4}$ (PS1 $\frac{1}{4}$ ) | 41.910                            | 40.431         | 38.952                            |
| Rp1 $\frac{1}{2}$ (PS1 $\frac{1}{2}$ ) | 47.803                            | 46.324         | 44.845                            |

Hanger units cast housing  
Set screw type



| Shaft dia.       | Unit number <sup>1)</sup> | Nominal dimensions |                |     |    |     |                   |    |    |      |      | Bearing number |
|------------------|---------------------------|--------------------|----------------|-----|----|-----|-------------------|----|----|------|------|----------------|
|                  |                           | mm                 |                |     |    |     | inch              |    |    |      |      |                |
|                  |                           | L                  | H <sub>1</sub> | c   | A  | H   | N                 | D  | j  | B    | S    |                |
| <b>50</b>        | <b>UCHB210D1</b>          | 118                | 142            | 5   | 37 | 83  | RP1               | 48 | 21 | 51.6 | 19   | <b>UC210D1</b> |
| $1\frac{13}{16}$ | <b>UCHB210-113D1</b>      |                    |                |     |    |     |                   |    |    |      |      | UC210-113D1    |
| $1\frac{7}{8}$   | <b>UCHB210-114D1</b>      |                    |                |     |    |     |                   |    |    |      |      | UC210-114D1    |
| $1\frac{15}{16}$ | <b>UCHB210-115D1</b>      |                    |                |     |    |     |                   |    |    |      |      | UC210-115D1    |
| <b>2</b>         | <b>UCHB210-200D1</b>      |                    |                |     |    |     |                   |    |    |      |      | UC210-200D1    |
| <b>55</b>        | <b>UCHB211D1</b>          | 126                | 158            | 7   | 38 | 95  | RP1 $\frac{1}{4}$ | 60 | 25 | 55.6 | 22.2 | <b>UC211D1</b> |
| <b>2</b>         | <b>UCHB211-200D1</b>      |                    |                |     |    |     |                   |    |    |      |      | UC211-200D1    |
| $2\frac{1}{16}$  | <b>UCHB211-201D1</b>      |                    |                |     |    |     |                   |    |    |      |      | UC211-201D1    |
| $2\frac{1}{8}$   | <b>UCHB211-202D1</b>      |                    |                |     |    |     |                   |    |    |      |      | UC211-202D1    |
| $2\frac{3}{16}$  | <b>UCHB211-203D1</b>      |                    |                |     |    |     |                   |    |    |      |      | UC211-203D1    |
| <b>60</b>        | <b>UCHB212D1</b>          | 142                | 173            | 9   | 42 | 102 | RP1 $\frac{1}{4}$ | 60 | 28 | 65.1 | 25.4 | <b>UC212D1</b> |
| $2\frac{1}{4}$   | <b>UCHB212-204D1</b>      |                    |                |     |    |     |                   |    |    |      |      | UC212-204D1    |
| $2\frac{5}{16}$  | <b>UCHB212-205D1</b>      |                    |                |     |    |     |                   |    |    |      |      | UC212-205D1    |
| $2\frac{3}{8}$   | <b>UCHB212-206D1</b>      |                    |                |     |    |     |                   |    |    |      |      | UC212-206D1    |
| $2\frac{7}{16}$  | <b>UCHB212-207D1</b>      |                    |                |     |    |     |                   |    |    |      |      | UC212-207D1    |
| <b>65</b>        | <b>UCHB213D1</b>          | 166                | 200            | 9.5 | 44 | 117 | RP1 $\frac{1}{2}$ | 70 | 32 | 65.1 | 25.4 | <b>UC213D1</b> |
| $2\frac{1}{2}$   | <b>UCHB213-208D1</b>      |                    |                |     |    |     |                   |    |    |      |      | UC213-208D1    |

Remarks: 1) These numbers indicate relubricatable type. If maintenance free type is needed, please order without suffix "D1".

Note: Please refer to page 25 for size of grease fitting.

| Housing number | Mass of unit |
|----------------|--------------|
|                |              |
| HB210D1        | 2.6          |
| HB210D1        |              |
| HB210D1        | 5.7          |
| HB210D1        |              |
| HB210D1        |              |
| HB211D1        | 2.9          |
| HB211D1        |              |
| HB211D1        | 6.4          |
| HB211D1        |              |
| HB211D1        |              |
| HB212D1        | 4.4          |
| HB212D1        |              |
| HB212D1        | 9.7          |
| HB212D1        |              |
| HB212D1        |              |
| HB213D1        | 6.6          |
| HB213D1        | 15           |

| Nominal Designation of Thread          | Nominal dimensions mm             |                |                                   |
|--|-----------------------------------|----------------|-----------------------------------|
|  | Major Diameter of Internal Thread | Pitch Diameter | Minor Diameter of Internal Thread |
| Rp $\frac{3}{4}$ (PS $\frac{3}{4}$ )   | 26.441                            | 25.279         | 24.117                            |
| Rp1(PS1)                               | 33.249                            | 31.770         | 30.291                            |
| Rp1 $\frac{1}{4}$ (PS1 $\frac{1}{4}$ ) | 41.910                            | 40.431         | 38.952                            |
| Rp1 $\frac{1}{2}$ (PS1 $\frac{1}{2}$ ) | 47.803                            | 46.324         | 44.845                            |