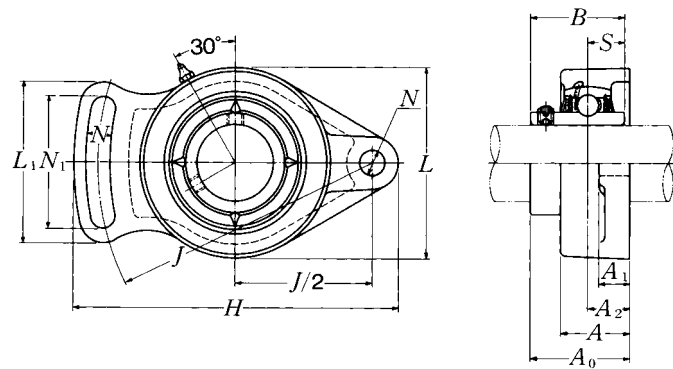


### Flanged units cast housing special type Set screw type



Shaft dia. mm inch	Unit number <sup>1)</sup>	Nominal dimensions													Bolt size mm inch
		H	J	A <sub>2</sub>	A <sub>1</sub>	A	N	N <sub>1</sub>	L	L <sub>1</sub>	A <sub>0</sub>	B	S		
12 1/2	UCFA201D1	98	78	15	12	25.5	10	40	60	50	33.3	31	12.7	M 8	
	UCFA201-008D1	3 <sup>27</sup> / <sub>32</sub>	3 <sup>1</sup> / <sub>16</sub>	1 <sup>9</sup> / <sub>32</sub>	1 <sup>5</sup> / <sub>32</sub>	1	2 <sup>5</sup> / <sub>64</sub>	1 <sup>9</sup> / <sub>16</sub>	2 <sup>3</sup> / <sub>8</sub>	1 <sup>31</sup> / <sub>32</sub>	1 <sup>5</sup> / <sub>16</sub>	1.2205	0.500	5/16	
15 9/16 5/8	UCFA202D1	98	78	15	12	25.5	10	40	60	50	33.3	31	12.7	M 8	
	UCFA202-009D1	3 <sup>27</sup> / <sub>32</sub>	3 <sup>1</sup> / <sub>16</sub>	1 <sup>9</sup> / <sub>32</sub>	1 <sup>5</sup> / <sub>32</sub>	1	2 <sup>5</sup> / <sub>64</sub>	1 <sup>9</sup> / <sub>16</sub>	2 <sup>3</sup> / <sub>8</sub>	1 <sup>31</sup> / <sub>32</sub>	1 <sup>5</sup> / <sub>16</sub>	1.2205	0.500	5/16	
	UCFA202-010D1	3 <sup>27</sup> / <sub>32</sub>	3 <sup>1</sup> / <sub>16</sub>	1 <sup>9</sup> / <sub>32</sub>	1 <sup>5</sup> / <sub>32</sub>	1	2 <sup>5</sup> / <sub>64</sub>	1 <sup>9</sup> / <sub>16</sub>	2 <sup>3</sup> / <sub>8</sub>	1 <sup>31</sup> / <sub>32</sub>	1 <sup>5</sup> / <sub>16</sub>	1.2205	0.500	5/16	
17 11/16	UCFA203D1	98	78	15	12	25.5	10	40	60	50	33.3	31	12.7	M 8	
	UCFA203-011D1	3 <sup>27</sup> / <sub>32</sub>	3 <sup>1</sup> / <sub>16</sub>	1 <sup>9</sup> / <sub>32</sub>	1 <sup>5</sup> / <sub>32</sub>	1	2 <sup>5</sup> / <sub>64</sub>	1 <sup>9</sup> / <sub>16</sub>	2 <sup>3</sup> / <sub>8</sub>	1 <sup>31</sup> / <sub>32</sub>	1 <sup>5</sup> / <sub>16</sub>	1.2205	0.500	5/16	
20 3/4	UCFA204D1	98	78	15	12	25.5	10	40	60	50	33.3	31	12.7	M 8	
	UCFA204-012D1	3 <sup>27</sup> / <sub>32</sub>	3 <sup>1</sup> / <sub>16</sub>	1 <sup>9</sup> / <sub>32</sub>	1 <sup>5</sup> / <sub>32</sub>	1	2 <sup>5</sup> / <sub>64</sub>	1 <sup>9</sup> / <sub>16</sub>	2 <sup>3</sup> / <sub>8</sub>	1 <sup>31</sup> / <sub>32</sub>	1 <sup>5</sup> / <sub>16</sub>	1.2205	0.500	5/16	
25 13/16 7/8 15/16 1	UCFA205D1	124	96	15	14	26.5	13	49	70	64	34.8	34.1	14.3	M10	
	UCFA205-013D1	4 <sup>7</sup> / <sub>8</sub>	3 <sup>25</sup> / <sub>32</sub>	1 <sup>9</sup> / <sub>32</sub>	9/16	1 <sup>1</sup> / <sub>32</sub>	3 <sup>3</sup> / <sub>64</sub>	1 <sup>15</sup> / <sub>16</sub>	2 <sup>3</sup> / <sub>4</sub>	2 <sup>17</sup> / <sub>32</sub>	1 <sup>3</sup> / <sub>8</sub>	1.3425	0.563	3/8	
	UCFA205-014D1	4 <sup>7</sup> / <sub>8</sub>	3 <sup>25</sup> / <sub>32</sub>	1 <sup>9</sup> / <sub>32</sub>	9/16	1 <sup>1</sup> / <sub>32</sub>	3 <sup>3</sup> / <sub>64</sub>	1 <sup>15</sup> / <sub>16</sub>	2 <sup>3</sup> / <sub>4</sub>	2 <sup>17</sup> / <sub>32</sub>	1 <sup>3</sup> / <sub>8</sub>	1.3425	0.563	3/8	
	UCFA205-015D1	4 <sup>7</sup> / <sub>8</sub>	3 <sup>25</sup> / <sub>32</sub>	1 <sup>9</sup> / <sub>32</sub>	9/16	1 <sup>1</sup> / <sub>32</sub>	3 <sup>3</sup> / <sub>64</sub>	1 <sup>15</sup> / <sub>16</sub>	2 <sup>3</sup> / <sub>4</sub>	2 <sup>17</sup> / <sub>32</sub>	1 <sup>3</sup> / <sub>8</sub>	1.3425	0.563	3/8	
30 1 1/16 1 1/8 1 3/16 1 1/4	UCFA206D1	141	115	18	14	31	13	53	80	68	40.2	38.1	15.9	M10	
	UCFA206-101D1	5 <sup>9</sup> / <sub>16</sub>	4 <sup>17</sup> / <sub>32</sub>	4 <sup>5</sup> / <sub>64</sub>	9/16	1 <sup>7</sup> / <sub>32</sub>	3 <sup>3</sup> / <sub>64</sub>	2 <sup>3</sup> / <sub>32</sub>	3 <sup>5</sup> / <sub>32</sub>	2 <sup>11</sup> / <sub>16</sub>	1 <sup>37</sup> / <sub>64</sub>	1.5000	0.626	3/8	
	UCFA206-102D1	5 <sup>9</sup> / <sub>16</sub>	4 <sup>17</sup> / <sub>32</sub>	4 <sup>5</sup> / <sub>64</sub>	9/16	1 <sup>7</sup> / <sub>32</sub>	3 <sup>3</sup> / <sub>64</sub>	2 <sup>3</sup> / <sub>32</sub>	3 <sup>5</sup> / <sub>32</sub>	2 <sup>11</sup> / <sub>16</sub>	1 <sup>37</sup> / <sub>64</sub>	1.5000	0.626	3/8	
	UCFA206-103D1	5 <sup>9</sup> / <sub>16</sub>	4 <sup>17</sup> / <sub>32</sub>	4 <sup>5</sup> / <sub>64</sub>	9/16	1 <sup>7</sup> / <sub>32</sub>	3 <sup>3</sup> / <sub>64</sub>	2 <sup>3</sup> / <sub>32</sub>	3 <sup>5</sup> / <sub>32</sub>	2 <sup>11</sup> / <sub>16</sub>	1 <sup>37</sup> / <sub>64</sub>	1.5000	0.626	3/8	
35 1 1/4 1 5/16 1 3/8 1 7/16	UCFA207D1	155	128	20	16	34	15	60	90	75	45.4	42.9	17.5	M12	
	UCFA207-104D1	6 <sup>3</sup> / <sub>32</sub>	5 <sup>1</sup> / <sub>32</sub>	2 <sup>5</sup> / <sub>32</sub>	5/8	1 <sup>11</sup> / <sub>32</sub>	1 <sup>9</sup> / <sub>32</sub>	2 <sup>3</sup> / <sub>8</sub>	3 <sup>17</sup> / <sub>32</sub>	2 <sup>15</sup> / <sub>16</sub>	1 <sup>25</sup> / <sub>32</sub>	1.6890	0.689	7/16	
	UCFA207-105D1	6 <sup>3</sup> / <sub>32</sub>	5 <sup>1</sup> / <sub>32</sub>	2 <sup>5</sup> / <sub>32</sub>	5/8	1 <sup>11</sup> / <sub>32</sub>	1 <sup>9</sup> / <sub>32</sub>	2 <sup>3</sup> / <sub>8</sub>	3 <sup>17</sup> / <sub>32</sub>	2 <sup>15</sup> / <sub>16</sub>	1 <sup>25</sup> / <sub>32</sub>	1.6890	0.689	7/16	
	UCFA207-106D1	6 <sup>3</sup> / <sub>32</sub>	5 <sup>1</sup> / <sub>32</sub>	2 <sup>5</sup> / <sub>32</sub>	5/8	1 <sup>11</sup> / <sub>32</sub>	1 <sup>9</sup> / <sub>32</sub>	2 <sup>3</sup> / <sub>8</sub>	3 <sup>17</sup> / <sub>32</sub>	2 <sup>15</sup> / <sub>16</sub>	1 <sup>25</sup> / <sub>32</sub>	1.6890	0.689	7/16	
40 1 1/2 1 9/16	UCFA208D1	171	142	22	16	36	15	69	100	84	52.2	49.2	19	M12	
	UCFA208-108D1	6 <sup>23</sup> / <sub>32</sub>	5 <sup>19</sup> / <sub>32</sub>	5 <sup>5</sup> / <sub>64</sub>	5/8	1 <sup>13</sup> / <sub>32</sub>	1 <sup>9</sup> / <sub>32</sub>	2 <sup>23</sup> / <sub>32</sub>	3 <sup>15</sup> / <sub>16</sub>	3 <sup>5</sup> / <sub>16</sub>	2 <sup>1</sup> / <sub>16</sub>	1.9370	0.748	7/16	
	UCFA208-109D1	6 <sup>23</sup> / <sub>32</sub>	5 <sup>19</sup> / <sub>32</sub>	5 <sup>5</sup> / <sub>64</sub>	5/8	1 <sup>13</sup> / <sub>32</sub>	1 <sup>9</sup> / <sub>32</sub>	2 <sup>23</sup> / <sub>32</sub>	3 <sup>15</sup> / <sub>16</sub>	3 <sup>5</sup> / <sub>16</sub>	2 <sup>1</sup> / <sub>16</sub>	1.9370	0.748	7/16	

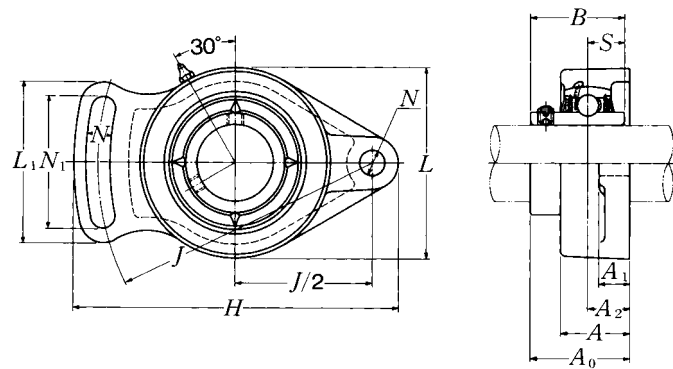
Remarks: 1) These numbers indicate relubricatable type. If maintenance free type is needed, please order without suffix "D1".

Note: Please refer to page 25 for size of grease fitting.

Bearing number	Housing number	Mass of unit	
		kg	lb
UC201D1	FA204D1	0.7	
UC201-008D1	FA204D1	1.5	
UC202D1	FA204D1	0.6	
UC202-009D1	FA204D1	1.3	
UC202-010D1	FA204D1		
UC203D1	FA204D1	0.6	
UC203-011D1	FA204D1	1.3	
UC204D1	FA204D1	0.6	
UC204-012D1	FA204D1	1.3	
UC205D1	FA205D1	0.8	
UC205-013D1	FA205D1		
UC205-014D1	FA205D1	1.8	
UC205-015D1	FA205D1		
UC205-100D1	FA205D1		
UC206D1	FA206D1	1.2	
UC206-101D1	FA206D1		
UC206-102D1	FA206D1	2.6	
UC206-103D1	FA206D1		
UC206-104D1	FA206D1		
UC207D1	FA207D1	1.5	
UC207-104D1	FA207D1		
UC207-105D1	FA207D1	3.3	
UC207-106D1	FA207D1		
UC207-107D1	FA207D1		
UC208D1	FA208D1	1.8	
UC208-108D1	FA208D1	4.0	
UC208-109D1	FA208D1		

## Flanged units cast housing special type

### Set screw type



Shaft dia.	Unit number <sup>1)</sup>	Nominal dimensions													Bolt size
		mm						inch							
mm inch		H	J	A <sub>2</sub>	A <sub>1</sub>	A	N	N <sub>1</sub>	L	L <sub>1</sub>	A <sub>0</sub>	B	S	mm inch	
<b>45</b>	<b>UCFA209D1</b>	179	146	22	18	38	17	72	110	88	52.2	49.2	19	M14	
<b>1<sup>5</sup>/<sub>8</sub></b>	<b>UCFA209-110D1</b>														
<b>1<sup>11</sup>/<sub>16</sub></b>	<b>UCFA209-111D1</b>	7 <sup>7</sup> / <sub>16</sub>	5 <sup>3</sup> / <sub>4</sub>	55 <sup>5</sup> / <sub>64</sub>	23 <sup>23</sup> / <sub>32</sub>	1 <sup>1</sup> / <sub>2</sub>	43 <sup>43</sup> / <sub>64</sub>	2 <sup>27</sup> / <sub>32</sub>	4 <sup>11</sup> / <sub>32</sub>	3 <sup>15</sup> / <sub>32</sub>	2 <sup>1</sup> / <sub>16</sub>	1.9370	0.748	1/2	
<b>1<sup>3</sup>/<sub>4</sub></b>	<b>UCFA209-112D1</b>														
<b>50</b>	<b>UCFA210D1</b>	189	155	22	18	40	17	75	115	92	54.6	51.6	19	M14	
<b>1<sup>13</sup>/<sub>16</sub></b>	<b>UCFA210-113D1</b>														
<b>1<sup>7</sup>/<sub>8</sub></b>	<b>UCFA210-114D1</b>	7 <sup>7</sup> / <sub>16</sub>	6 <sup>3</sup> / <sub>32</sub>	55 <sup>5</sup> / <sub>64</sub>	23 <sup>23</sup> / <sub>32</sub>	1 <sup>9</sup> / <sub>16</sub>	43 <sup>43</sup> / <sub>64</sub>	2 <sup>15</sup> / <sub>16</sub>	4 <sup>17</sup> / <sub>32</sub>	3 <sup>5</sup> / <sub>8</sub>	2 <sup>5</sup> / <sub>32</sub>	2.0315	0.748	1/2	
<b>1<sup>15</sup>/<sub>16</sub></b>	<b>UCFA210-115D1</b>														
<b>2</b>	<b>UCFA210-200D1</b>														
<b>55</b>	<b>UCFA211D1</b>	216	182	26	20	43	17	85	130	102	59.4	55.6	22.2	M14	
<b>2</b>	<b>UCFA211-200D1</b>														
<b>2<sup>1</sup>/<sub>16</sub></b>	<b>UCFA211-201D1</b>	8 <sup>1</sup> / <sub>8</sub>	7 <sup>5</sup> / <sub>32</sub>	1 <sup>1</sup> / <sub>32</sub>	2 <sup>5</sup> / <sub>32</sub>	1 <sup>11</sup> / <sub>16</sub>	43 <sup>43</sup> / <sub>64</sub>	3 <sup>11</sup> / <sub>32</sub>	5 <sup>1</sup> / <sub>8</sub>	4 <sup>1</sup> / <sub>32</sub>	2 <sup>11</sup> / <sub>32</sub>	2.1890	0.874	1/2	
<b>2<sup>1</sup>/<sub>8</sub></b>	<b>UCFA211-202D1</b>														
<b>2<sup>3</sup>/<sub>16</sub></b>	<b>UCFA211-203D1</b>														

Remarks: 1) These numbers indicate relubricatable type. If maintenance free type is needed, please order without suffix "D1".

Note: Please refer to page 25 for size of grease fitting.

Bearing number	Housing number	Mass of unit	
		kg	lb
UC209D1	FA209D1	2.2	
UC209-110D1	FA209D1		
UC209-111D1	FA209D1	4.9	
UC209-112D1	FA209D1		
UC210D1	FA210D1	2.6	
UC210-113D1	FA210D1		
UC210-114D1	FA210D1	5.7	
UC210-115D1	FA210D1		
UC210-200D1	FA210D1		
UC211D1	FA211D1	3.6	
UC211-200D1	FA211D1		
UC211-201D1	FA211D1	7.9	
UC211-202D1	FA211D1		
UC211-203D1	FA211D1		