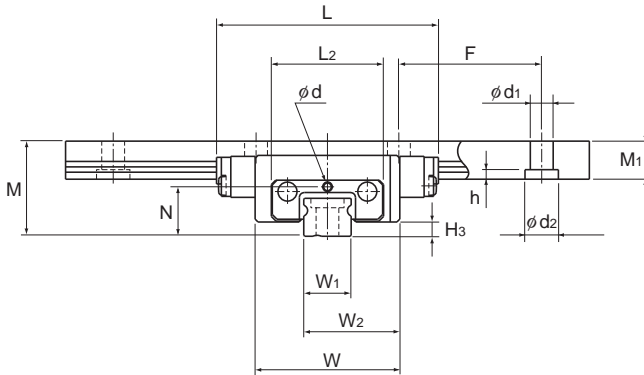


Model MX



Model No.	Outer dimensions			LM block dimensions			H ₃
	Height	Width	Length	L ₂	N	Greasing hole	
	M	W	L			d	
MX 5M	10	15.2	23.3	11.8	5.2	0.8	1.5
MX 7WM	14.5	30.2	40.8	24.6	7.4	1.2	2

Note) The LM block, rail, and ball material are composed of stainless steel and are corrosion resistant to general environments.

Model number coding

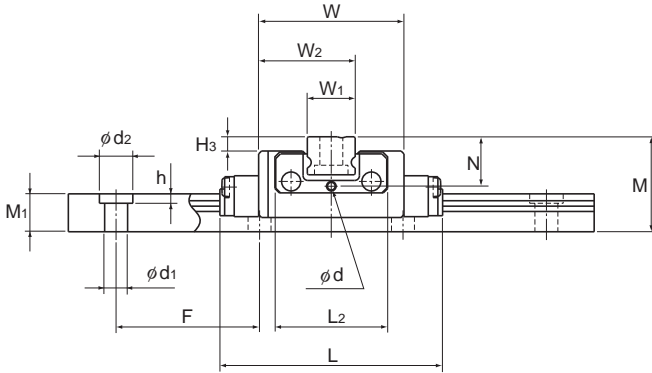
4	MX7W M	UU	C1	+120 / 100L	P	T	M
Model number	Contamination protection accessory symbol (*1)	LM rail length on the X axis (in mm)	LM rail length on the Y axis (in mm)	LM rail is made of stainless steel	Symbol for LM rail jointed use	Accuracy symbol (*3)	Normal grade (No Symbol)/Precision grade (P)
Total No. of LM blocks		Radial clearance symbol (*2)					
		Normal (No symbol)					
		Light preload (C1)					

(*1) See contamination protection accessory on [A1-352](#). (*2) See [A1-91](#). (*3) See [A1-102](#).

Note) If the LM rail mount of a semi-standard model is of a tapped-hole LM rail type, add symbol "K" after the accuracy symbol.

Example: 4 MX7W M UU C1+120/100L P K T M

└─── Add symbol K

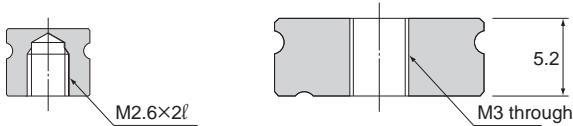


Unit: mm

	LM rail dimensions						Basic load rating		Static Permissible Moment* N-m	Mass	
	Width		Height	Pitch		Length*	C	C ₀	M ₀	LM block kg	LM rail kg/m
	W ₁	W ₂	M ₁	F	d ₁ × d ₂ × h	Max	kN	kN			
	5 ⁰ _{-0.02}	10.1	4	15	2.4 × 3.5 × 1	200	0.59	1.1	2.57	0.01	0.14
	14 ⁰ _{-0.025}	22.1	5.2	30	3.5 × 6 × 3.2	400	2.04	3.21	14.7	0.051	0.51

Note) The maximum length under "Length*" indicates the standard maximum length of an LM rail. (See B1-170.)
 Static permissible moment*: static permissible moment value with 1 LM block

For the LM rail mounting hole, a tapped-hole LM rail type is available as semi-standard.



Model MX5M

Model MX7WM

When mounting the LM rail of model MX7WM, take into account the thread length of the mounting bolt in order not to let the bolt end stick out of the top face of the LM rail.