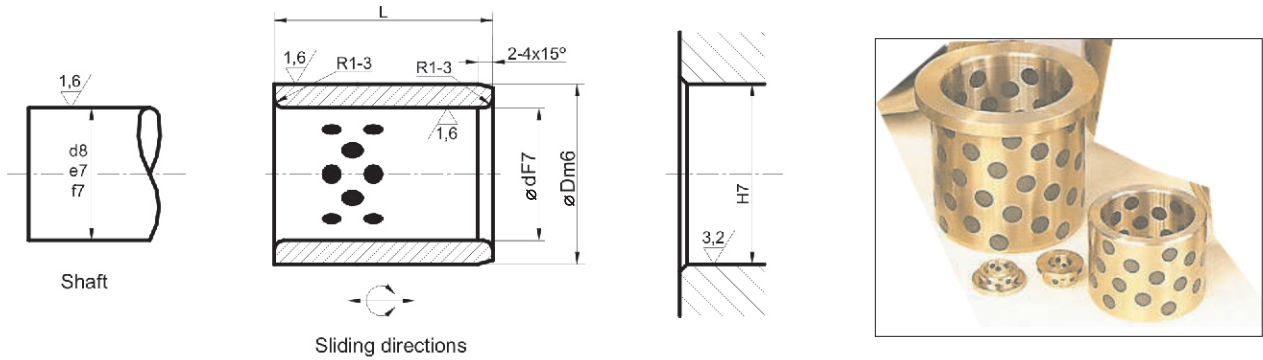


B 50

CAST BRONZE WITH GRAPHITE INSERTS

PUZDRA Z LIATEHO BRONZU S GRAFITOVÝMI HNIEZDAMI



Unit:mm

| d | D | dF7 | Dm6 | L ^{+0.10} / _{-0.30} | | | | | | | | | | | | | |
|-----|-----|-----|-----|---------------------------------------|----|----|----|----|----|----|----|----|----|----|-----|-----|---|
| | | | | 10 | 15 | 20 | 25 | 30 | 35 | 40 | 50 | 60 | 70 | 80 | 100 | 120 | |
| 8 | 12 | 8 | 12 | • | • | | | | | | | | | | | | |
| 10 | 14 | 10 | 14 | • | • | • | | | | | | | | | | | |
| 12 | 18 | 12 | 18 | • | • | • | • | • | | | | | | | | | |
| 13 | 19 | 13 | 19 | • | • | | | | | | | | | | | | |
| 14 | 20 | 14 | 20 | • | • | • | • | • | | | | | | | | | |
| 15 | 21 | 15 | 21 | • | • | • | • | • | | | | | | | | | |
| 16 | 22 | 16 | 22 | • | • | • | • | • | • | | | | | | | | |
| 18 | 24 | 18 | 24 | • | • | • | • | • | • | | | | | | | | |
| 20 | 28 | 20 | 28 | • | • | • | • | • | • | • | | | | | | | |
| 22 | 32 | 22 | 32 | • | • | • | • | | | | | | | | | | |
| 25 | 33 | 25 | 33 | | • | • | • | • | • | • | • | | | | | | |
| 30 | 38 | 30 | 38 | | • | • | • | • | • | • | • | • | | | | | |
| 35 | 45 | 35 | 45 | | | • | • | • | • | • | • | • | | | | | |
| 40 | 50 | 40 | 50 | | | • | • | • | • | • | • | • | • | | | | |
| 45 | 55 | 45 | 55 | | | | • | • | • | • | • | • | • | • | | | |
| 50 | 60 | 50 | 60 | | | | | • | • | • | • | • | • | • | • | | |
| 50 | 62 | 50 | 62 | | | | | • | • | • | • | • | • | • | • | | |
| 50 | 65 | 50 | 65 | | | | | • | • | • | • | • | • | • | • | • | |
| 55 | 70 | 55 | 70 | | | | | | • | • | • | • | • | • | • | • | |
| 60 | 74 | 60 | 74 | | | | | | • | • | • | • | • | • | • | • | |
| 60 | 75 | 60 | 75 | | | | | | • | • | • | • | • | • | • | • | |
| 63 | 75 | 63 | 75 | | | | | | | • | • | • | • | • | • | • | |
| 65 | 80 | 65 | 80 | | | | | | | | • | • | • | • | • | • | |
| 70 | 85 | 70 | 85 | | | | | | | • | • | • | • | • | • | • | |
| 70 | 90 | 70 | 90 | | | | | | | | • | • | • | • | • | • | |
| 75 | 90 | 75 | 90 | | | | | | | | | • | • | • | • | • | |
| 75 | 95 | 75 | 95 | | | | | | | | | • | • | • | • | • | |
| 80 | 96 | 80 | 96 | | | | | | | | | • | • | • | • | • | |
| 80 | 100 | 80 | 100 | | | | | | | • | | • | • | • | • | • | |
| 90 | 110 | 90 | 110 | | | | | | | | | • | • | • | • | • | |
| 100 | 120 | 100 | 120 | | | | | | | | | | • | • | • | • | |
| 110 | 130 | 110 | 130 | | | | | | | | | | | • | • | • | |
| 120 | 140 | 120 | 140 | | | | | | | | | | | | • | • | |
| 125 | 145 | 125 | 145 | | | | | | | | | | | | | • | |
| 130 | 150 | 130 | 150 | | | | | | | | | | | | | | • |
| 140 | 160 | 140 | 160 | | | | | | | | | | | | | | • |
| 150 | 170 | 150 | 170 | | | | | | | | | | | | | | • |
| 160 | 180 | 160 | 180 | | | | | | | | | | | | | | • |

Order example: B50 - 5030

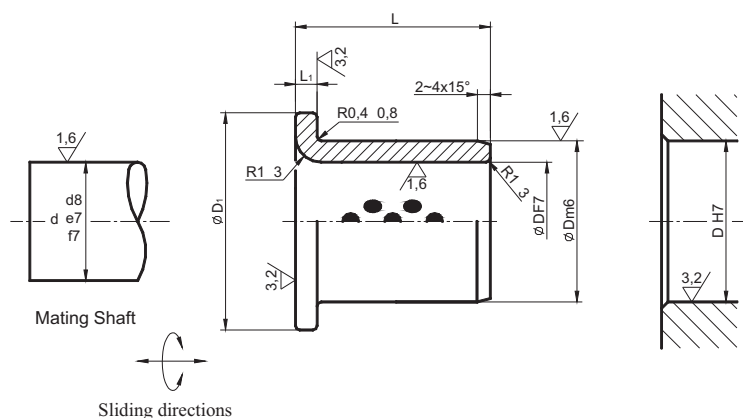


length L

diameter d

B 50

CAST BRONZE WITH GRAPHITE INSERTS PRÍRUBOVÉ PUZDRA Z LIATEHO BRONZU S GRAFITOVÝMI HNIEZDAMI



Unit:mm

| d | D | IDF7 | ODm6 | D ₁ | L1 -0.10 | L -0.10 +0.50 | | | | | | | | | |
|------|-----|------|------|----------------|-------------|---------------------|----|----|----|----|----|----|----|----|-----|
| | | | | | | 15 | 20 | 25 | 30 | 35 | 40 | 50 | 60 | 80 | 100 |
| 10 | 14 | 10 | 14 | 22 | 2 | • | • | | | | | | | | |
| 12 | 18 | 12 | 18 | 25 | | • | • | • | | | | | | | |
| 13 | 19 | 13 | 19 | 26 | | • | • | • | • | | | | | | |
| 14 | 20 | 14 | 20 | 27 | 3 | • | • | • | • | | | | | | |
| 15 | 21 | 15 | 21 | 28 | | • | • | • | • | | | | | | |
| 16 | 22 | 16 | 22 | 29 | | • | • | • | • | • | | | | | |
| 20 | 30 | 20 | 30 | 40 | | • | • | • | • | • | • | | | | |
| 25 | 35 | 25 | 35 | 45 | | • | • | • | • | • | • | | | | |
| 30 | 40 | 30 | 40 | 50 | | • | • | • | • | • | • | • | | | |
| 31.5 | 40 | 31.5 | 40 | 50 | | | • | • | • | | | | | | |
| 35 | 45 | 35 | 45 | 60 | 5 | | • | • | • | • | • | • | • | | |
| 40 | 50 | 40 | 50 | 65 | | | • | • | • | • | • | • | • | • | |
| 45 | 55 | 45 | 55 | 70 | | | | • | • | • | • | • | • | • | |
| 50 | 60 | 50 | 60 | 75 | | | | • | • | • | • | • | • | • | • |
| 55 | 65 | 55 | 65 | 80 | | | | | • | • | • | • | • | • | |
| 60 | 75 | 60 | 75 | 90 | | | | | | • | • | • | • | • | • |
| 63 | 75 | 63 | 75 | 85 | 7.5 | | | | | • | • | • | • | • | • |
| 70 | 85 | 70 | 85 | 105 | | | | | | | • | • | • | • | • |
| 75 | 90 | 75 | 90 | 110 | | | | | | | • | • | • | • | • |
| 80 | 100 | 80 | 100 | 120 | | | | | | • | • | • | • | • | • |
| 90 | 110 | 90 | 110 | 130 | 10 | | | | | • | • | • | • | • | • |
| 100 | 120 | 100 | 120 | 150 | | | | | | | • | • | • | • | • |
| 120 | 140 | 120 | 140 | 170 | | | | | | | | • | • | • | • |

Order example: B50 - 5030 F

označovanie
 material — flange
 length L
 diameter d

| Tech. Data | | | | | | | | |
|------------------------------------|----|------|------|------|------|------|------|------|
| Material | | M1 | M2 | M3 | M4 | M5 | M6 | M7 |
| Composition % | Cu | 65 | 85 | 80 | 88 | 80 | 65 | 76 |
| | Sn | | 5 | | 12 | 10 | | 8 |
| | Pb | | 5 | | | 10 | | 15 |
| | Zn | 25 | 5 | | | | 25 | |
| | Ni | | | 5 | | | | 1 |
| | Al | 6 | | 10 | | | 6 | |
| | Fe | | | 5 | | | | |
| Mn | 4 | | | | | 4 | | |
| Density | | 8.0 | 8.8 | 7.6 | 8.8 | 8.9 | 8.0 | 9.1 |
| Yield point N/mm ² | | >350 | >90 | >260 | >150 | >100 | >450 | >80 |
| Tensile strength N/mm ² | | >750 | >250 | >500 | >270 | >210 | >800 | >180 |
| Elongation % | | >12 | >15 | >10 | >5 | >8 | >8 | >8 |
| Hardness HB | | >210 | >70 | >150 | >95 | >75 | >250 | >60 |
| Limit temp. °C | | 300 | 400 | 400 | 400 | 250 | 400 | 250 |

| Solid Lubricants | | |
|---------------------|--|---|
| Lubricant | Features | Typical application |
| SL1 Graphite+add | Excellent resistance against chemical attacks and low friction. Temp limit 400°C | Suite for general machines and under atmosphere |