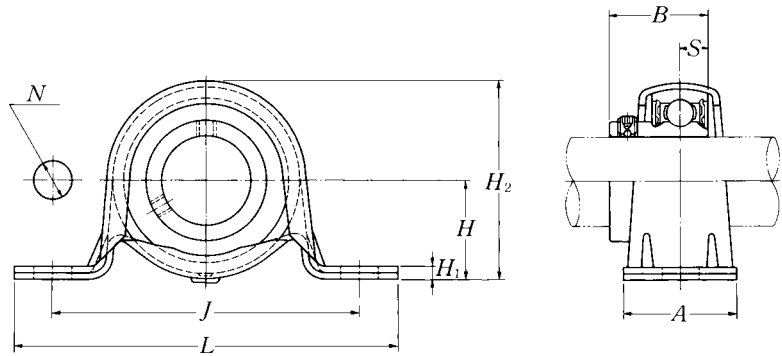


Pillow blocks pressed steel housing
Set screw type

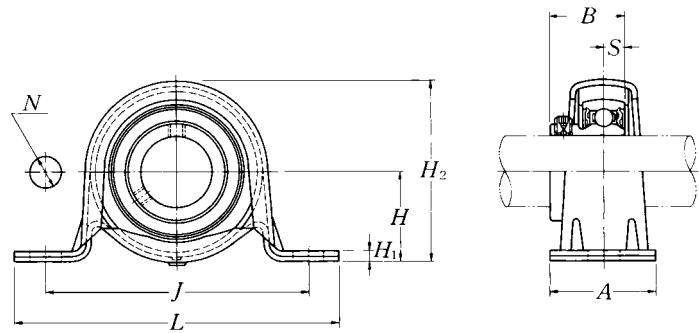


Shaft dia. mm inch	Unit number	Nominal dimensions									Bolt size mm inch	Bearing number	Housing number	Mass of unit kg lb
		H	L	J	A	N	H ₁	H ₂	B	S				
12 1/2	ASPP201	22.2	86	68	25	9.5	3.2	43.8	22	6	M 8	AS201	PP203	0.2
	ASPP201-008	7/8	3 3/8	2 11/16	3 1/32	3/8	0.126	1 23/32	0.8661	0.236	5/16	AS201-008	PP203	0.4
15 9/16 5/8	ASPP202	22.2	86	68	25	9.5	3.2	43.8	22	6	M 8	AS202	PP203	0.1
	ASPP202-009	7/8	3 3/8	2 11/16	3 1/32	3/8	0.126	1 23/32	0.8661	0.236	5/16	AS202-009	PP203	0.2
	ASPP202-010											AS202-010	PP203	
17 11/16	ASPP203	22.2	86	68	25	9.5	3.2	43.8	22	6	M 8	AS203	PP203	0.1
	ASPP203-011	7/8	3 3/8	2 11/16	3 1/32	3/8	0.126	1 23/32	0.8661	0.236	5/16	AS203-011	PP203	0.2
20 3/4	ASPP204	25.4	98	76	32	9.5	3.2	50.5	25	7	M 8	AS204	PP204	0.2
	ASPP204-012	1	3 27/32	3	1 1/4	3/8	0.126	2	0.9843	0.276	5/16	AS204-012	PP204	0.4
25 13/16 7/8 15/16 1	ASPP205	28.6	108	86	32	11.5	4	56.6	27	7.5	M10	AS205	PP205	0.3
	ASPP205-013											AS205-013	PP205	
	ASPP205-014	1 1/8	4 1/4	3 3/8	1 1/4	29/64	0.157	2 7/32	1.0630	0.295	3/8	AS205-014	PP205	0.7
	ASPP205-015											AS205-015	PP205	
	ASPP205-100											AS205-100	PP205	
30 1 1/16 1 1/8 1 3/16 1 1/4	ASPP206	33.3	117	95	38	11.5	4	66.3	29	8	M10	AS206	PP206	0.4
	ASPP206-101											AS206-101	PP206	
	ASPP206-102	1 5/16	4 19/32	3 3/4	1 1/2	29/64	0.157	2 5/8	1.1417	0.315	3/8	AS206-102	PP206	0.9
	ASPP206-103											AS206-103	PP206	
	ASPP206-104											AS206-104	PP206	
35 1 1/4 1 5/16 1 3/8 1 7/16	ASPP207	39.7	129	106	42	11.5	4.6	78	34	8.5	M10	AS207	PP207	0.6
	ASPP207-104											AS207-104	PP207	
	ASPP207-105	1 9/16	5 3/32	4 3/16	1 21/32	29/64	0.181	3 1/16	1.3386	0.335	3/8	AS207-105	PP207	1.3
	ASPP207-106											AS207-106	PP207	
	ASPP207-107											AS207-107	PP207	

Remarks: 1) The permissible load only applies in applications where the load is stable and the speed is 2400 rpm or less.
 The mounting surface should be flat.

Max. load ¹⁾ recommended	
N	lbf
radial	axial
2 000	800
440	160
2 000	800
440	160
2 000	800
440	160
2 500	1 000
550	200
3 500	1 400
770	280
4 000	1 600
880	320
4 500	1 800
990	360

Pillow blocks pressed steel housing with rubber ring
Set screw type

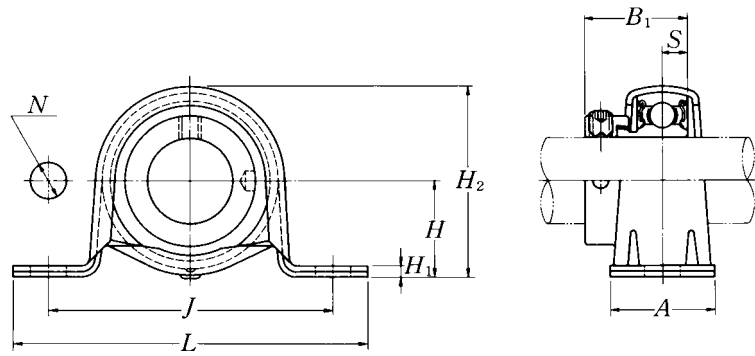


Shaft dia.	Unit number	Nominal dimensions									Bolt size	Bearing number	
		H	L	J	A	N	H ₁	H ₂	B	S			
mm inch		mm	inch	mm	inch	mm	inch	mm	inch	mm	inch	mm	inch
12	ASRPP201	25.4	98	76	32	9.5	3.2	50.5	22	6	M 8	AS201	
1/2	ASRPP201-008	1	3 27/32	3	1 1/4	3/8	0.126	2	0.8661	0.236	5/16	AS201-008	
15	ASRPP202	25.4	98	76	32	9.5	3.2	50.5	22	6	M 8	AS202	
9/16 5/8	ASRPP202-009 ASRPP202-010	1	3 27/32	3	1 1/4	3/8	0.126	2	0.8661	0.236	5/16	AS202-009 AS202-010	
17	ASRPP203	25.4	98	76	32	9.5	3.2	50.5	22	6	M 8	AS203	
1 1/16	ASRPP203-011	1	3 27/32	3	1 1/4	3/8	0.126	2	0.8661	0.236	5/16	AS203-011	
20	ASRPP204	28.6	108	86	32	11.5	4	56.6	25	7	M10	AS204	
3/4	ASRPP204-012	1 1/8	4 1/4	3 3/8	1 1/4	29/64	0.157	2 7/32	0.9843	0.276	3/8	AS204-012	
25	ASRPP205	33.3	117	95	38	11.5	4	66.3	27	7.5	M10	AS205	
13/16 7/8 15/16 1	ASRPP205-013 ASRPP205-014 ASRPP205-015 ASRPP205-100	1 5/16	4 19/32	3 3/4	1 1/2	29/64	0.157	2 5/8	1.0630	0.295	3/8	AS205-013 AS205-014 AS205-015 AS205-100	
30	ASRPP206	39.7	129	106	42	11.5	4.6	78	29	8	M10	AS206	
1 1/16 1 1/8 1 3/16 1 1/4	ASRPP206-101 ASRPP206-102 ASRPP206-103 ASRPP206-104	1 9/16	5 3/32	4 3/16	1 21/32	29/64	0.181	3 1/16	1.1417	0.315	3/8	AS206-101 AS206-102 AS206-103 AS206-104	

Remarks: 1) The permissible load only applies in applications where the load is stable and the speed is 2400 rpm or less.
 The mounting surface should be flat.
 2) When an anti-vibration rubber ring is used, the self alignment capability will be reduce.

Housing number	Mass of unit kg lb	Max. load ¹⁾ recommended	
		N lbf	
		radial	axial
PP204	0.2	1 000	200
PP204	0.4	220	40
PP204	0.2	1 000	200
PP204	0.4	220	40
PP204			
PP204	0.2	1 000	200
PP204	0.4	220	40
PP205	0.3	1 150	200
PP205	0.7	250	40
PP206	0.4	1 300	200
PP206			
PP206	0.9	280	40
PP206			
PP206			
PP207	0.5	1 500	200
PP207			
PP207	1.1	330	40
PP207			
PP207			

**Pillow blocks pressed steel housing
Eccentric locking collar type**

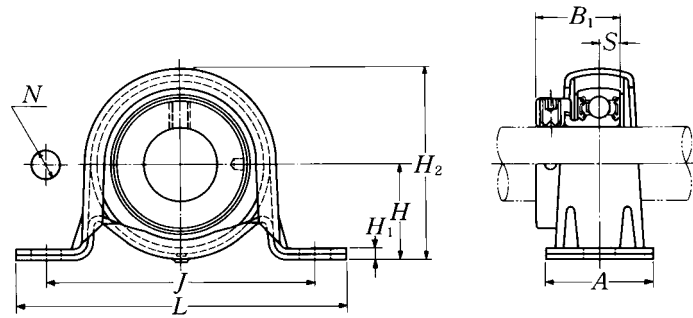


Shaft dia. mm inch	Unit number	Nominal dimensions									Bolt size mm inch	Bearing number
		H	L	J	A	N	H ₁	H ₂	B ₁	S		
12 1/2	AELPP201W3	22.2	86	68	25	9.5	3.2	43.8	28.6	6.5	M 8	AEL201W3
	AELPP201-008W3	7/8	3 3/8	2 11/16	3 1/32	3/8	0.126	1 23/32	1.126	0.256	5/16	AEL201-008W3
15 9/16 5/8	AELPP202W3	22.2	86	68	25	9.5	3.2	43.8	28.6	6.5	M 8	AEL202W3
	AELPP202-009W3	7/8	3 3/8	2 11/16	3 1/32	3/8	0.126	1 23/32	1.126	0.256	5/16	AEL202-009W3
	AELPP202-010W3											AEL202-010W3
17 1 1/16	AELPP203W3	22.2	86	68	25	9.5	3.2	43.8	28.6	6.5	M 8	AEL203W3
	AELPP203-011W3	7/8	3 3/8	2 11/16	3 1/32	3/8	0.126	1 23/32	1.126	0.256	5/16	AEL203-011W3
20 3/4	AELPP204W3	25.4	98	76	32	9.5	3.2	50.5	31	7.5	M 8	AEL204W3
	AELPP204-012W3	1	3 27/32	3	1 1/4	3/8	0.126	2	1.220	0.295	5/16	AEL204-012W3
25 1 3/16 7/8 1 5/16 1	AELPP205W3	28.6	108	86	32	11.5	4	56.6	31	7.5	M10	AEL205W3
	AELPP205-013W3											AEL205-013W3
	AELPP205-014W3	1 1/8	4 1/4	3 3/8	1 1/4	29/64	0.157	2 7/32	1.220	0.295	3/8	AEL205-014W3
	AELPP205-015W3											AEL205-015W3
	AELPP205-100W3											AEL205-100W3
30 1 1/16 1 1/8 1 3/16 1 1/4	AELPP206W3	33.3	117	95	38	11.5	4	66.3	35.7	9	M10	AEL206W3
	AELPP206-101W3											AEL206-101W3
	AELPP206-102W3	1 5/16	4 19/32	3 3/4	1 1/2	29/64	0.157	2 5/8	1.406	0.354	3/8	AEL206-102W3
	AELPP206-103W3											AEL206-103W3
	AELPP206-104W3											AEL206-104W3
35 1 1/4 1 5/16 1 3/8 1 7/16	AELPP207W3	39.7	129	106	42	11.5	4.6	78	38.9	9.5	M10	AEL207W3
	AELPP207-104W3											AEL207-104W3
	AELPP207-105W3	1 9/16	5 3/32	4 3/16	1 21/32	29/64	0.181	3 1/16	1.531	0.374	3/8	AEL207-105W3
	AELPP207-106W3											AEL207-106W3
	AELPP207-107W3											AEL207-107W3

Remarks: 1) The permissible load only applies in applications where the load is stable and the speed is 2400 rpm or less.
The mounting surface should be flat.

Housing number	Mass of unit		Max. load ¹⁾ recommended	
	kg	lb	N lbf	
			radial	axial
PP203	0.2		2 000	800
PP203	0.4		440	160
PP203	0.2		2 000	800
PP203	0.4		440	160
PP203	0.2		2 000	800
PP203	0.4		440	160
PP204	0.2		2 500	1 000
PP204	0.4		550	200
PP205	0.3		3 500	1 400
PP205				
PP205	0.7		770	280
PP205				
PP205				
PP206	0.5		4 000	1 600
PP206				
PP206	1.1		880	320
PP206				
PP206				
PP207	0.7		4 500	1 800
PP207				
PP207	1.5		990	360
PP207				
PP207				

**Pillow blocks pressed steel housing with rubber ring
Eccentric locking collar type**



Shaft dia. mm inch	Unit number	Nominal dimensions									Bolt size mm inch	Bearing number
		H	L	J	A	N	H ₁	H ₂	B ₁	S		
12 1/2	AELRPP201W3	25.4	98	76	32	9.5	3.2	50.5	28.6	6.5	M 8 5/16	AEL201W3 AEL201-008W3
	AELRPP201-008W3	1	3 ²⁷ / ₃₂	3	1 ¹ / ₄	3 ³ / ₈	0.126	2	1.126	0.256		
15 9/16 5/8	AELRPP202W3	25.4	98	76	32	9.5	3.2	50.5	28.6	6.5	M 8 5/16	AEL202W3 AEL202-009W3 AEL202-010W3
	AELRPP202-009W3	1	3 ²⁷ / ₃₂	3	1 ¹ / ₄	3 ³ / ₈	0.126	2	1.126	0.256		
	AELRPP202-010W3											
17 11/16	AELRPP203W3	25.4	98	76	32	9.5	3.2	50.5	28.6	6.5	M 8 5/16	AEL203W3 AEL203-011W3
	AELRPP203-011W3	1	3 ²⁷ / ₃₂	3	1 ¹ / ₄	3 ³ / ₈	0.126	2	1.126	0.256		
20 3/4	AELRPP204W3	28.6	108	86	32	11.5	4	56.6	31	7.5	M10 3/8	AEL204W3 AEL204-012W3
	AELRPP204-012W3	1 ¹ / ₈	4 ¹ / ₄	3 ³ / ₈	1 ¹ / ₄	29 ²⁹ / ₆₄	0.157	2 ⁷ / ₃₂	1.220	0.295		
25 13/16 7/8 15/16 1	AELRPP205W3	33.3	117	95	38	11.5	4	66.3	31	7.5	M10 3/8	AEL205W3 AEL205-013W3 AEL205-014W3 AEL205-015W3 AEL205-100W3
	AELRPP205-013W3											
	AELRPP205-014W3	1 ⁵ / ₁₆	4 ¹⁹ / ₃₂	3 ³ / ₄	1 ¹ / ₂	29 ²⁹ / ₆₄	0.157	2 ⁵ / ₈	1.220	0.295		
	AELRPP205-015W3											
30 1 1/16 1 1/8 1 3/16 1 1/4	AELRPP206W3	39.7	129	106	42	11.5	4.6	78	35.7	9	M10 3/8	AEL206W3 AEL206-101W3 AEL206-102W3 AEL206-103W3 AEL206-104W3
	AELRPP206-101W3											
	AELRPP206-102W3	1 ⁹ / ₁₆	5 ³ / ₃₂	4 ³ / ₁₆	1 ²¹ / ₃₂	29 ²⁹ / ₆₄	0.181	3 ¹ / ₁₆	1.406	0.354		
	AELRPP206-103W3											
AELRPP206-104W3												

Remarks: 1) The permissible load only applies in applications where the load is stable and the speed is 2400 rpm or less.
The mounting surface should be flat.
2) When an anti-vibration rubber ring is used, the self alignment capability will be reduce.

Housing number	Mass of unit		Max. load ¹⁾ recommended	
	kg	lb	N	lbf
			radial	axial
PP204	0.2		1 000	200
PP204	0.4		220	40
PP204	0.2		1 000	200
PP204	0.4		220	40
PP204				
PP204	0.2		1 000	200
PP204	0.4		220	40
PP205	0.3		1 150	200
PP205	0.7		250	40
PP206	0.5		1 300	200
PP206				
PP206	1.1		280	40
PP206				
PP206				
PP207	0.7		1 500	200
PP207				
PP207	1.5		330	40
PP207				
PP207				